

## 产品特性/Product Features

- IP6K9K
- 200A 85°C长时间载流能力
- 12-750VDC
- 1000MΩ (1000VDC) , IEC 60664-1
- PCB

### 触点参数 / Contact parameters

		1a				
		≤2mΩ (at 20A)				
		200A				
		2×10 <sup>-5</sup>				
		<b>450V型</b>		<b>750V型</b>		
		1000VDC		1000VDC		
		2000A(320VDC)1		2000A(320VDC)1		
		90kW		150kW		
1)		2.5×10 <sup>4</sup>	22.5VDC, =1ms	400A, 200A	2.5×10 <sup>4</sup>	37.5VDC, =1ms 400A, 200A
		1	450VDC, =1ms	1350A, 200A		
		1×10 <sup>4</sup>	450VDC,70A		1×10 <sup>4</sup>	750VDC,70A
		3×10 <sup>3</sup>	450VDC,200A		1×10 <sup>3</sup>	750VDC,200A
2)		200A:				
		300A:60min				
		400A:20min				
		800A:30s				
		2000A:0.6s				

1) 85°C, 23°C, 0.6s:5.4s,

2) 85°C, 60 mm<sup>2</sup>, " " " "

性能参数 / Performance parameters

		1000MΩ(1000VDC)
		3000VAC 1min
		3000VAC 1min
( )		≤30ms
( )		≤10ms
		196m/s <sup>2</sup>
		490m/s <sup>2</sup>
		10Hz ~ 500Hz 49m/s <sup>2</sup>
		5% ~ 85%RH
		-40°C ~ 85°C
		M6
		500g
		95.0mm×45.0mm×85.1mm 89.0mm×45.0mm×85.1mm

线圈参数 / Coil parameters

12	9	3.6	34( 0.2s) 4
24	≤18	≥7.2	34( 0.2s) 4

-40°C ~ 85°C)

订货标记示例

HFEVC - **T** **F** **200** / **750-12** - **C** **N** **SM** -

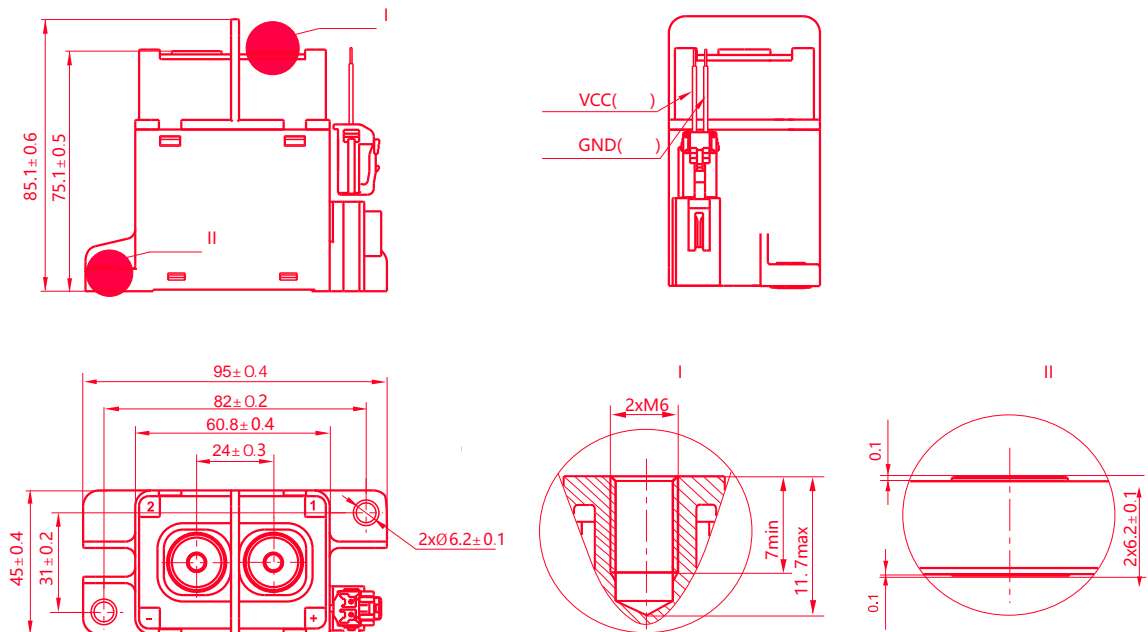
1 2 3 4 5 6 7 8 9 10

- 1 HFEVC:  
2 T: H:  
3 F: Y:  
4 200: 200A  
5 DC Blank: 450V 750: 750V  
6 12: DC12V 24: DC24V PWM: 9V~24V  
7 C: L:  
8 Blank: N:  
9 Blank: SM:  
10

1)

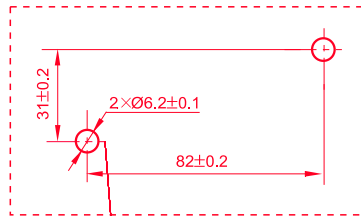
外形图、安装孔尺寸 / Outline drawing, mounting hole size

/Unit mm

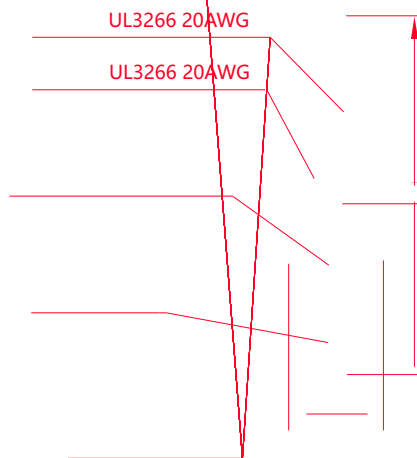
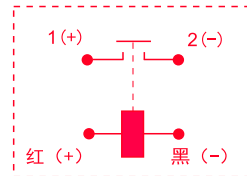


安装孔尺寸 / 接线图 Mounting hole size/Wiring diagram

Mounting hole size



Wiring diagram



性能曲线图 Performance graph

